

YUDESI DAY & BOARDING NURSERY & PRIMARY SCHOOL
P. 3 LITERACY 1B HOLIDAY PACKAGE TERM 1, 2020

Name: _____ Stream: _____

1. What name is given to the top layer that covers the earth's surface?

2. Identify one way soil is formed.

3. Name one component of soil.

4. Why is loam soil the best for growing crops?

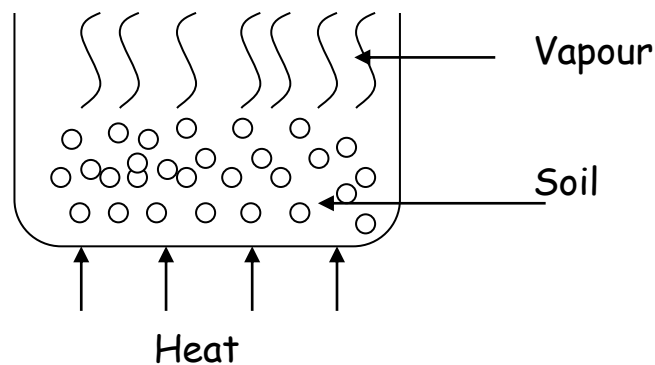
5. Name the soil which has got the finest particles.

6. Give one use of sand soil to people.

7. Why is sand soil not good for crop growing?

8. Write one animal that live in soil.

9. What does the experiment below show about soil?

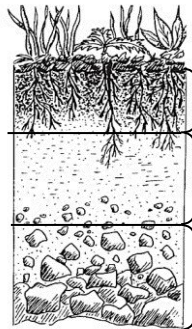


10. What is soil texture?

11. How is air useful in our environment?

12. Define the term soil profile.

13. Name the layers of soil shown below.



14. Why is loam soil the best for growing crops?

15. What is soil erosion?

16. Write two types of soil erosion.

i) _____

ii) _____

17. Name the three agents of soil erosion.

i) _____

ii) _____

iii) _____

18. Give two causes of soil erosion.
- i) _____
- ii) _____
19. Identify two ways of preventing soil erosion.
- i) _____
- ii) _____
20. Why do farmers mulch their gardens?
- _____
21. Write one material a farmer can use to mulch his garden.
- _____
22. How important is mulching to a farmer?
- _____
23. Define the term soil exhaustion.
- _____
- _____
24. State one cause of soil exhaustion.
- _____
25. Write one way of preventing soil exhaustion.
- _____
26. What is air?
- _____
27. List four components of air.
- i) _____
- ii) _____
- iii) _____
- iv) _____
28. Which part of air occupies the biggest percentage of the atmosphere?
- _____

29. Why is carbon dioxide used in fire extinguishers?

30. How is burning similar to germination?

SECTION B:

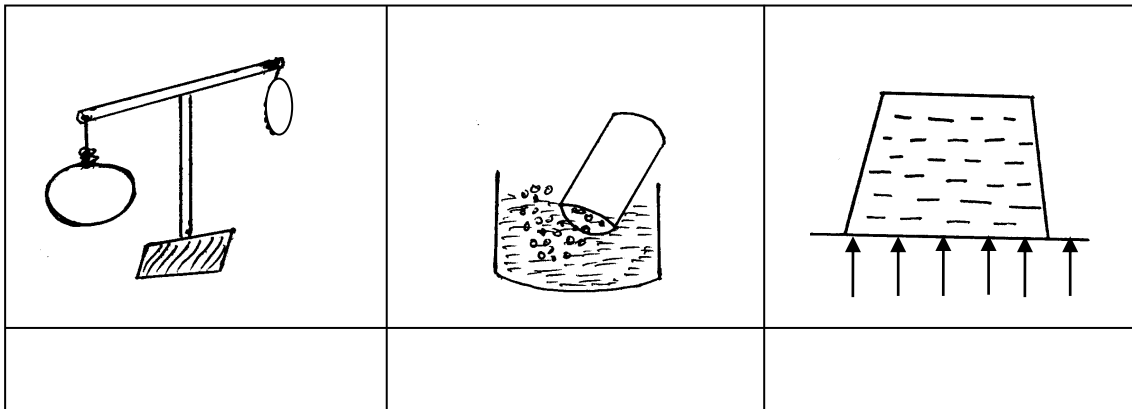
31. Which part of the air is used for;

i) Preserving eats and drinks

ii) Germination

iii) Stopping fire

32. Name the properties of air shown below.



33. Identify one place where we can find fire extinguishers.

34. State two uses of air.

i) _____

ii) _____

35. What is wind?

36. How useful is wind to a farmer?

37. Mention two diseases spread by air.

i) _____

ii) _____

38. Give two dangers of wind.

i) _____

ii) _____

39. Write one game played using air.

40. From which direction does the sun rise?

41. Name the vitamin got from the morning sunshine.

42. Identify two uses of the sun.

i) _____

ii) _____

43. State two dangers of too much sunshine.

i) _____

ii) _____

44. Name the energy got from the sun.

45. Apart from the sun, name two natural sources of light.

i) _____

ii) _____

46. Where does the sun set?

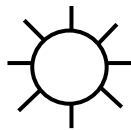
47. What is a shadow?

48. What are opaque objects?

49. When is the shadow longest?

50. Give one use of shadows.

51. Draw the shadow of the object below.



52. Name the main natural source of water.

53. How is water useful to people?

54. Give one danger of heavy rainfall.

55. In which season do farmers;

a) plant their crops

b) harvest crops

56. Mention one way of controlling;

a) Soil erosion

b) Floods

c) Drought

57. Write one item used for harvesting water.

58. Give one way of maintaining water sources.

59. Which cloud gives us rain?

60. Apart from cumulus clouds, name other two types of clouds.

i) _____

ii) _____

61. What is environment?

62. State two types of changes in our environment.

i) _____

ii) _____

63. What are natural changes?

64. List three examples of natural changes.

i) _____

ii) _____

iii) _____

65. Write one effect of natural changes.

66. Define people made changes.

67. Identify two people made change in our environment.

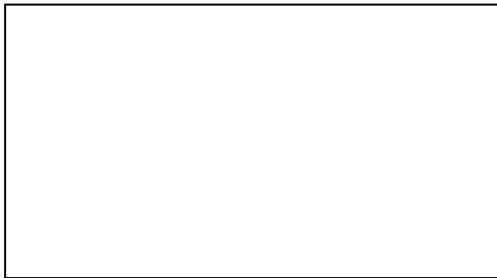
i) _____

ii) _____

68. What is deforestation?

69. Write one way of managing changes in our environment.

70. Draw and name one road sign.



71. Give two good farming method.

i) _____

ii) _____